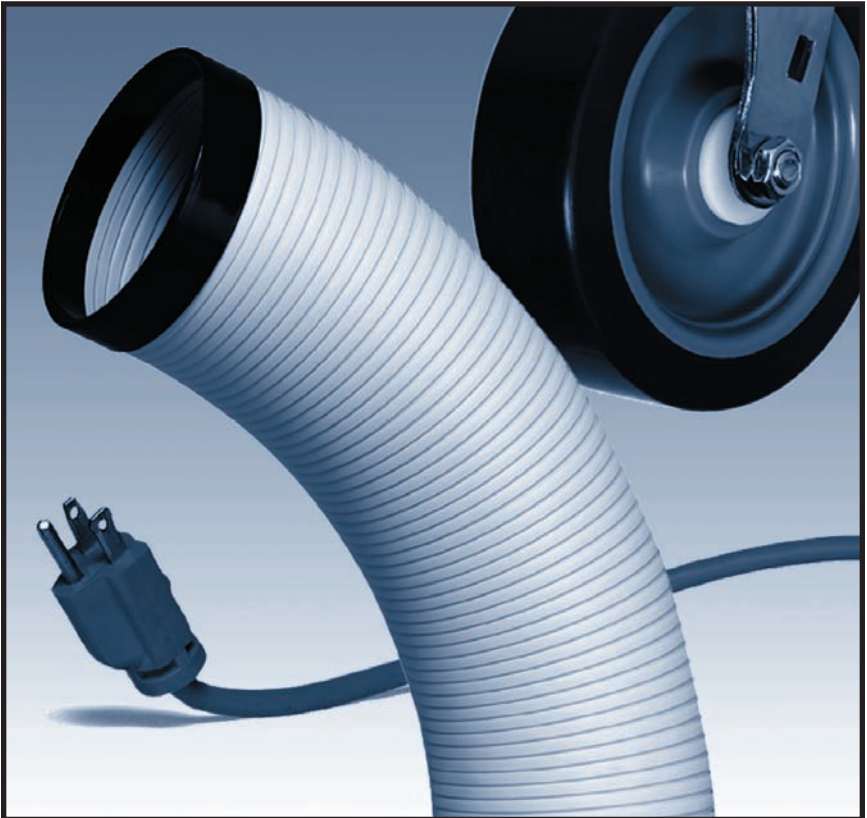


INSTALLATION **MANUAL**

CONDENSATE PUMP



READ THIS MANUAL CAREFULLY FOR INSTRUCTIONS ON CORRECT INSTALLATION AND USAGE, AND READ ALL SAFEGUARDS.



MOVINCOOL[®]
THE #1 SPOT COOLING SOLUTION

© 2008 DENSO SALES CALIFORNIA, INC.

All rights reserved. This book may not be reproduced or copied, in whole or in part, without the written permission of the publisher. DENSO SALES CALIFORNIA, INC. reserves the right to make changes without prior notice. MovinCool is a registered trademark of DENSO Corporation.

FOREWORD


Congratulations on purchasing a MovinCool Condensate Pump.

This manual explains how to install the condensate pump onto MovinCool units. Please read this installation manual thoroughly to familiarize yourself with the features of the unit and to ensure years of reliable operation. You may also find it useful to keep this installation manual on hand for reference.

Components and/or procedures are subject to change without prior notice.

Definition of Terms

 **WARNING:** Describes precautions that should be observed to prevent injury to the user during installation or unit operation.

 **CAUTION:** Describes precautions that should be observed to prevent damage to the unit or its components, which may occur during installation or unit operation if sufficient care is not taken.

Note: *Provides additional information that facilitates installation or unit operation.*

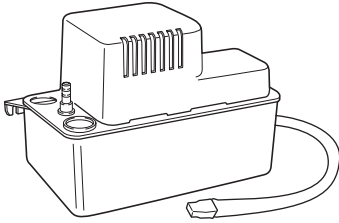
- Para Español, visita www.movincool.com
- Pour le français voir la www.movincool.com

GENERAL WARNINGS & CAUTIONS

- All electrical work, if necessary, should only be performed by qualified electrical personnel. Repair to electrical components by non-certified technicians may result in personal injury and/or damage to the unit. All electrical components replaced must be genuine, MovinCool or DENSO brand purchased from an authorized reseller.
- Do not handle the pump with wet hands or when standing in water as fatal shock could occur. Disconnect all power from the MovinCool before servicing the unit for any reason.
- Protect the power cable from coming in contact with sharp objects.
- Do not kink or allow power cord to come in contact with oil, grease, chemicals, or hot surfaces.
- To reduce risk of electrical shock, connect MovinCool unit to a properly grounded terminal.

INVENTORY

After unpacking your Condensate Pump Kit, please check to make sure you have the following items:



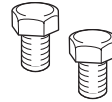
Condensate Pump (1)



Hose, 3/8 inch (9.5mm) diameter,
20 feet(6m)



Small Screws (2)



Bolts (2)
(Not required for Office Pro 36)



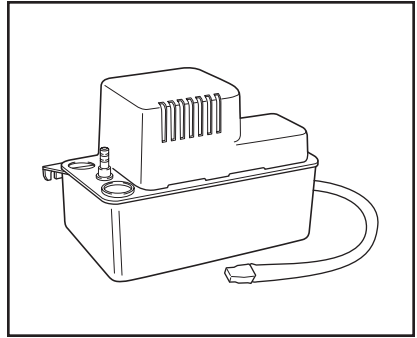
Adapter Plate
(Not required for Office Pro 36)

Note: If any of these items are not included in the box or appear damaged, please contact your MovinCool reseller for replacement.

PREPARATION

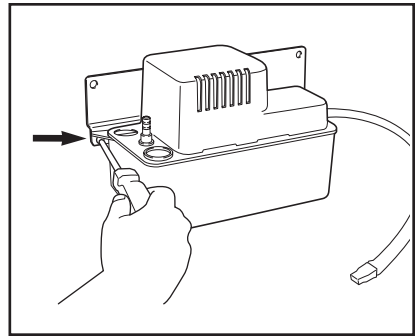
Remove Condensate Pump from package.

⚠️ WARNING: Make sure the MovinCool unit is unplugged from the electrical outlet or if permanently wired, make sure circuit breaker is in the off position.

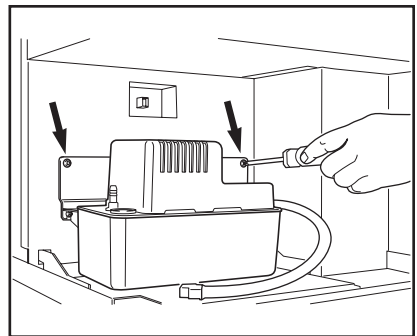


PUMP INSTALLATION

Secure pump to adapter plate using the two screws supplied in the kit.



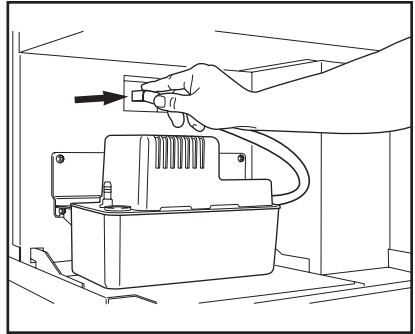
Mount the Condensate Pump assembly to the rear inside panel (as shown) using the two bolts supplied in the kit.



PUMP INSTALLATION

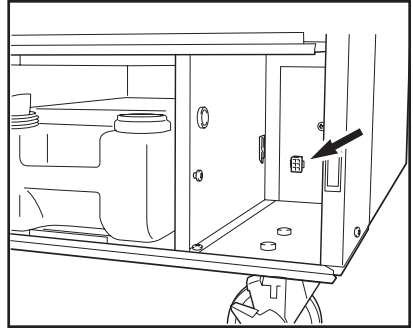
Remove jumper plug from mating connector. Connect pump to mating connector on inside panel or to adapter harness.

Note: 115v and 230v pumps have unique connectors.

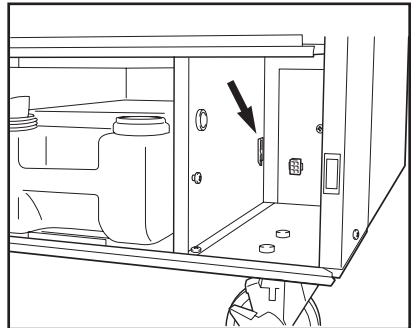


For Office Pro 36 Only

Plug pump connector into matching connector in rear frame.

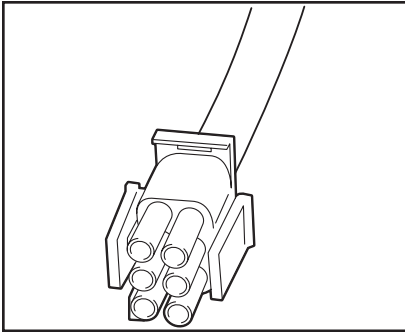
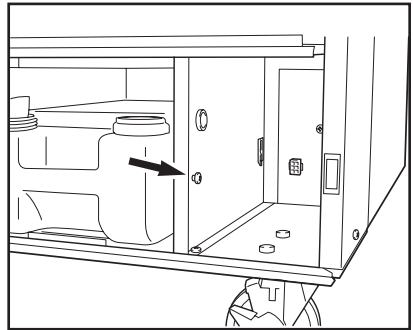


Slide pump mounting tab between side panel and back holder.

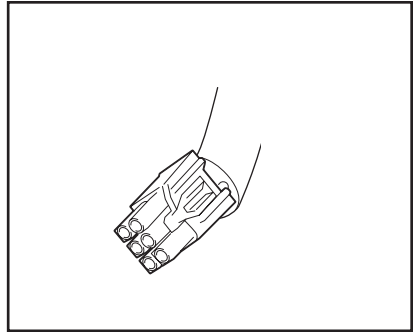


PUMP INSTALLATION

Secure pump to side panel with the screw provided.



115V Pump Connector

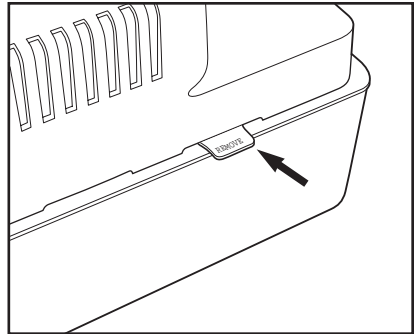


230V Pump Connector

Note : Refer to MovinCool Accessory Guide for proper pump's selection.

PUMP INSTALLATION

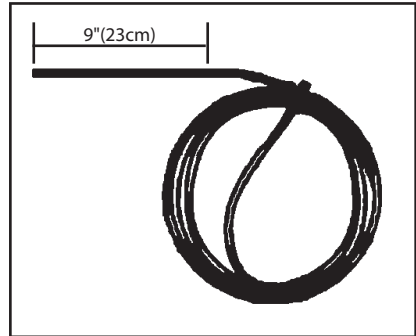
Remove tab from pump.



HOSE INSTALLATION

Note: The Condensate Pump Kit is equipped with a 20 foot(6m) hose. This hose will be used as both a drain and an inlet hose for the Condensate Pump.

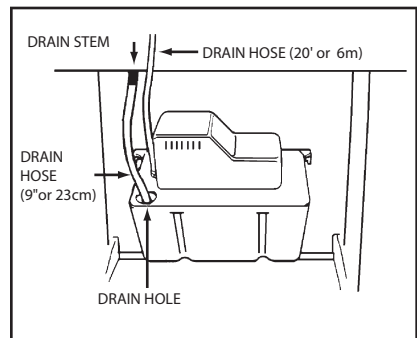
Cut a section of the 20-foot(6m) hose sufficient enough (approx. 9 in or 23cm) to connect drain pan to condensate pump drain hole.



Connect one end of the section hose to the MovinCool drain stem.

Insert the other end of the section hose into the condensate pump drain hole.

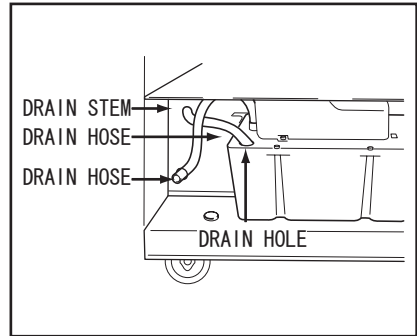
Connect the remainder of the 20-foot(6m) hose to the drain outlet spout.



HOSE INSTALLATION

For Office Pro 36 Only

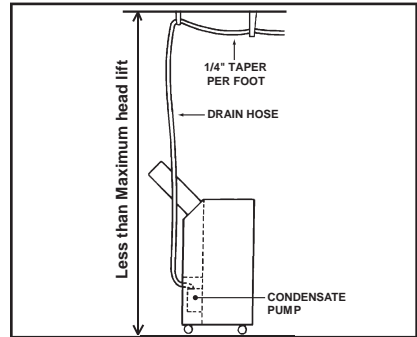
Connect the remainder of the 20 foot (6 m) hose to the drain outlet spout and feed it through the grommet on the right hand side of the unit.



Note: Please check the drainage performance after installation. It is important that the drainage line from the pump is free of kinks and is not pinched.

Power fluctuation or low voltage could result in incorrect drainage.

To ensure proper drainage, locate the highest vertical position, no more than the maximum head lift which shown in the table below, and run the drain hose on a downward slope at a minimum rate of 1/4 inch(6.25mm) per foot .



		Maximum head lift
115V Pump		20 feet (6m)
230V Pump	230VAC	17 feet (5.2m)
	208VAC	13 feet (4m)

MAINTENANCE & TROUBLESHOOTING

⚠ WARNING: When performing any maintenance and/or troubleshooting, make sure that all electrical power is off. This means before service, unplug the unit from the electrical outlet or if permanently wired, make sure the circuit breaker is in the off position.

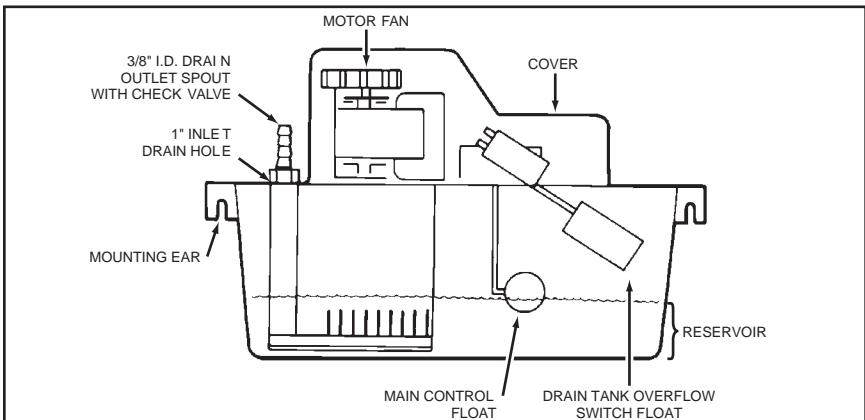
- 1) Remove any dirt or debris which may collect in the bottom of the reservoir tank.
- 2) On a monthly basis, check the condensate drain hose for kinks, blockage or any other damage that may obstruct condensate pump from draining properly.
- 3) Always replace the fan motor cover to keep electrical parts free of dust, dirt and any other foreign material.

Drain Tank Overflow Switch

This safety feature will stop the compressor operation if the pump malfunctions. To test the drain tank overflow switch, pinch the drain outlet hose and pour water into the reservoir inlet drain hole. Continue to fill the reservoir until the rising water lifts the overflow switch and stops the operation.

Note: If the Fan Mode Control DIP Switch is set to the “STOP” position, the entire unit (including fan operation) will turn off.

If the compressor continues to operate when the reservoir is full, check your installation procedure. After testing is complete, release the drain outlet hose and the condensate pump will empty the reservoir. Make sure the 9 in(23cm) section of hose is installed into the inlet drain hole of the pump reservoir.



Condensate Pump

DENSO
DENSO SALES CALIFORNIA, INC.
Long Beach CA 90810-1868
www.movincool.com